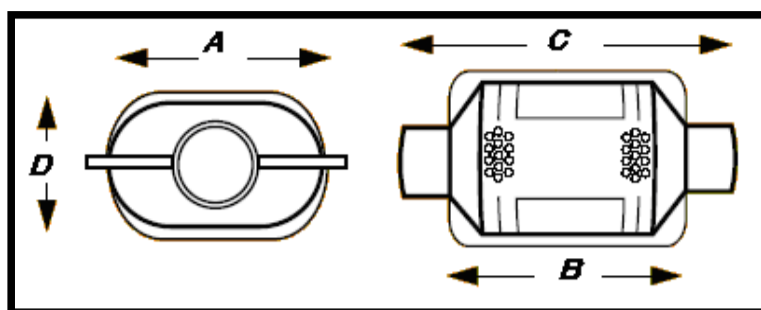


Catalisador Universal Oval Catalytic Converter Oval



C	A	B	D	INTERIOR	COMBUSTÍVEL	O. SENSOR	ENTRADA	SAIDA	CÓDIGO	CC
C	A	B	D	INSIDE	FUEL	O. SENSOR	IN	OUT	CODE	CC

320MM	160MM	200MM	101MM	Cerâmico	Gasolina	N	45MM	45MM	94103	1400
320MM	160MM	200MM	101MM	Cerâmico	Gasolina	N	50MM	50MM	94104	1400
320MM	160MM	200MM	101MM	Cerâmico	Diesel	N	50MM	50MM	94104D	1400
320MM	160MM	200MM	101MM	Metálico	Diesel	N	50MM	50MM	94104DM	1400/1600
320MM	160MM	200MM	101MM	Metálico	Gasolina	N	50MM	50MM	94104M	1400/1600
320MM	160MM	200MM	101MM	Cerâmico	Gasolina	N	50MM	50MM	94104/OBD	1400

360MM	160MM	250MM	108MM	Cerâmico	Gasolina	N	45MM	45MM	98103	1400/1600
360MM	160MM	250MM	108MM	Metálico	Diesel	N	45MM	45MM	98103DM	1900/2000
360MM	160MM	250MM	108MM	Cerâmico	Gasolina	N	50MM	50MM	98104	1400/1600
360MM	160MM	250MM	108MM	Cerâmico	Gasolina	S	50MM	50MM	98104C/S	1400/1600
360MM	160MM	250MM	108MM	Cerâmico	Diesel	N	50MM	50MM	98104D	1400/1600
360MM	160MM	250MM	108MM	Metálico	Diesel	N	50MM	50MM	98104DM	1900/2000
360MM	160MM	250MM	108MM	Metálico	Gasolina	N	50MM	50MM	98104M	1900/2000
360MM	160MM	250MM	108MM	Cerâmico	Gasolina	N	50MM	50MM	98104/OBD	1400/1600
360MM	160MM	250MM	108MM	Cerâmico	Gasolina	N	55MM	55MM	98105	1400/1600
360MM	160MM	250MM	108MM	Metálico	Diesel	N	55MM	55MM	98105DM	1900/2000
360MM	160MM	250MM	108MM	Metálico	Gasolina	N	55MM	55MM	98105M	1900/2000

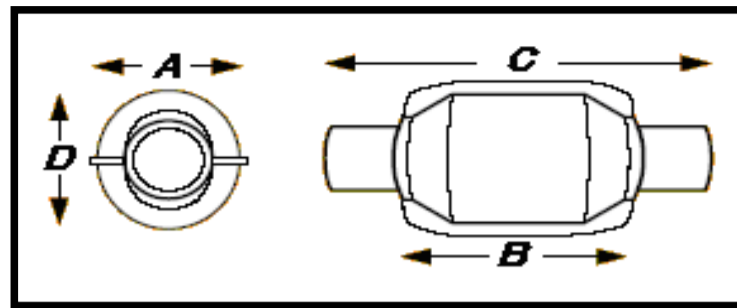
410MM	160MM	305MM	108MM	Cerâmico	Gasolina	N	50MM	50MM	94004	1600/1800
410MM	160MM	305MM	108MM	Cerâmico	Gasolina	N	50MM	50MM	94004C/S	1600/1800
410MM	160MM	305MM	108MM	Metálico	Diesel	N	50MM	50MM	94004DM	1900/2000
410MM	160MM	305MM	108MM	Metálico	Gasolina	N	50MM	50MM	94004M	1900/2000
410MM	160MM	305MM	108MM	Metálico	Gasolina	S	50MM	50MM	94004MC/S	1900/2000
410MM	160MM	305MM	108MM	Cerâmico	Gasolina	N	50MM	50MM	94004/OBD	1600/1800
410MM	160MM	305MM	108MM	Cerâmico	Gasolina	N	55MM	55MM	94005	1600/1800
410MM	160MM	305MM	108MM	Cerâmico	Gasolina	N	64MM	64MM	94006	1600/1800

410MM	185MM	305MM	108MM	Cerâmico	Gasolina	N	52MM	52MM	91604	2000
410MM	185MM	305MM	108MM	Metálico	Diesel	N	52MM	52MM	91604DM	2000
410MM	185MM	305MM	108MM	Metálico	Gasolina	N	52MM	52MM	91604M	2000
410MM	185MM	305MM	108MM	Cerâmico	Gasolina	N	52MM	52MM	91604/OBD	2000
410MM	185MM	305MM	108MM	Cerâmico	Gasolina	N	57MM	57MM	91605	2000

460MM	160MM	356MM	108MM	Cerâmico	Gasolina	N	50MM	50MM	95004	2000
460MM	160MM	356MM	108MM	Cerâmico	Gasolina	S	50MM	50MM	95004C/S	2000
460MM	160MM	356MM	108MM	Malha Aço	Diesel	N	50MM	50MM	95004DM	2000
460MM	160MM	356MM	108MM	Cerâmico	Gasolina	N	50MM	50MM	95004/OBD	2000
460MM	160MM	356MM	108MM	Metálico	Gasolina	N	50MM	50MM	95004M	2000
460MM	160MM	356MM	108MM	Metálico	Gasolina	S	50MM	50MM	95004MC/S	2000
460MM	160MM	356MM	108MM	Cerâmico	Gasolina	N	57MM	57MM	95005	2000
460MM	160MM	356MM	108MM	Cerâmico	Gasolina	N	75MM	75MM	95006	2000

500MM	160MM	400MM	95MM	Cerâmico	Gasolina	N	80MM	80MM	96004	2000
500MM	160MM	400MM	95MM	Metálico	Gasolina	N	80MM	80MM	96004M	2000

Catalisador Universal Redondo Catalytic Converter Round



C	A	B	D	INTERIOR	COMBUSTÍVEL	O. SENSOR	ENTRADA	SAIDA	CÓDIGO	CC
C	A	B	D	INSIDE	FUEL	O. SENSOR	IN	OUT	CODE	CC

200MM	127MM	150MM	127MM	Cerâmico	Gasolina	N	50MM	50MM	52104	1400
-------	-------	-------	-------	----------	----------	---	------	------	--------------	------

300MM	127MM	200MM	127MM	Cerâmico	Gasolina	N	45MM	45MM	54102	1400
300MM	127MM	200MM	127MM	Cerâmico	Gasolina	N	48MM	48MM	54103	1400
300MM	127MM	200MM	127MM	Cerâmico	Gasolina	N	50MM	50MM	54104	1400
300MM	127MM	200MM	127MM	Metálico	Gasolina	N	50MM	50MM	54104M	1400/1600
300MM	127MM	200MM	127MM	Metálico	Diesel	N	50MM	50MM	54104DM	1400/1600

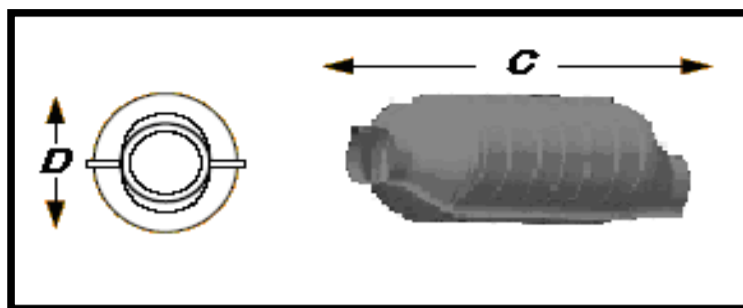
350MM	127MM	250MM	127MM	Cerâmico	Gasolina	N	45MM	45MM	53103	1400/1600
350MM	127MM	250MM	127MM	Cerâmico	Gasolina	N	50MM	50MM	53104	1400/1600
350MM	127MM	250MM	127MM	Cerâmico	Gasolina	S	50MM	50MM	53104C/S	1400/1600
350MM	127MM	250MM	127MM	Cerâmico	Diesel	N	50MM	50MM	53104D	1400/1600
350MM	127MM	250MM	127MM	Metálico	Diesel	N	50MM	50MM	53104DM	1900/2000
350MM	127MM	250MM	127MM	Metálico	Gasolina	N	50MM	50MM	53104M	1600/1800
350MM	127MM	250MM	127MM	Cerâmico	Gasolina	N	50MM	50MM	53104/OBD	1400/1600
350MM	127MM	250MM	127MM	Cerâmico	Gasolina	N	57MM	57MM	53105	1400/1600
350MM	127MM	250MM	127MM	Metálico	Diesel	N	57MM	57MM	53105DM	1900/2000
350MM	127MM	250MM	127MM	Metálico	Gasolina	N	57MM	57MM	53105M	1600/1800

380MM	127MM	310MM	127MM	Cerâmico	Gasolina	N	50MM	50MM	56604	1600/1800
380MM	127MM	310MM	127MM	Cerâmico	Gasolina	S	50MM	50MM	56604C/S	1600/1800
380MM	127MM	310MM	127MM	Metálico	Diesel	N	50MM	50MM	56604DM	1900/2000
380MM	127MM	310MM	127MM	Metálico	Gasolina	N	50MM	50MM	56604M	1600/1800
380MM	127MM	310MM	127MM	Cerâmico	Gasolina	N	50MM	50MM	56604/OBD	1600/1800
380MM	127MM	310MM	127MM	Cerâmico	Gasolina	N	55MM	55MM	56605	1600/1800

380MM	155MM	280MM	150MM	Cerâmico	Gasolina	N	50MM	50MM	57604	1900/2000
380MM	155MM	280MM	150MM	Cerâmico	Gasolina	N	55MM	55MM	57605	1900/2000
380MM	155MM	280MM	150MM	Metálico	Gasolina	N	50MM	50MM	57604M	2000
380MM	155MM	280MM	150MM	Metálico	Gasolina	N	55MM	55MM	57605M	2000

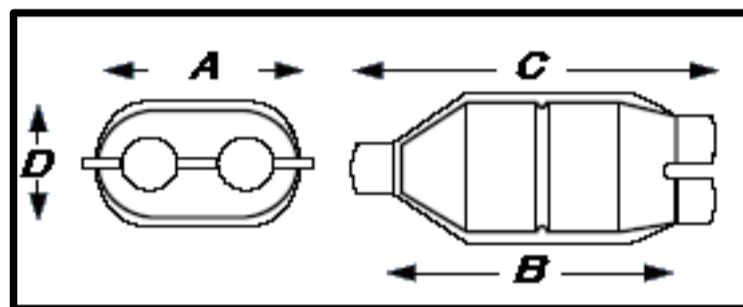


Catalisador Universal Especial Catalytic Converter Special



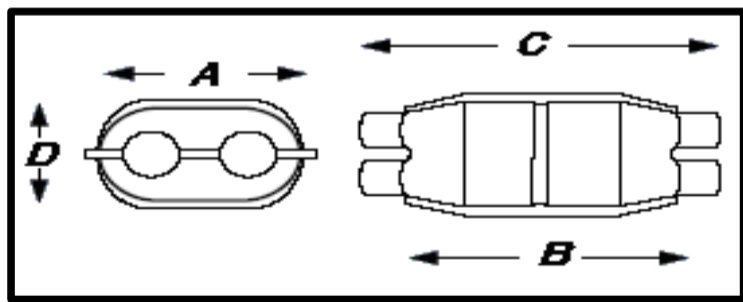
C	A	B	D	INTERIOR	COMBUSTÍVEL	O. SENSOR	ENTRADA	SAIDA	CODIGO	CC
C	A	B	D	INSIDE	FUEL	O. SENSOR	IN	OUT	CODE	CC

127MM	-	-	250MM	Cerâmico	Gasolina	S/N	51MM	51MM	54902	1400/1600
127MM	-	-	250MM	Metálico	Diesel	N	51MM	51MM	54902DM	1800
127MM	-	-	250MM	Cerâmico	Gasolina	S/N	51MM	51MM	54903	1400/1600
127MM	-	-	250MM	Metálico	Diesel	N	51MM	51MM	54903DM	1800
127MM	-	-	250MM	Cerâmico	Gasolina	S/N	51MM	51MM	54904	1400/1600
127MM	-	-	250MM	Metálico	Diesel	N	51MM	51MM	54904DM	1800



C	A	B	D	INTERIOR	COMB.	O. SENSOR	ENTRADA	SAIDA	CODIGO	CC
C	A	B	D	INSIDE	FUEL	O. SENSOR	IN	OUT	CODE	CC

410MM	185MM	305MM	108MM	Cerâmico	Gasolina	N	50MM	50MM	91210	2000
410MM	185MM	305MM	108MM	Metálico	Gasolina	N	50MM	50MM	99210	2000

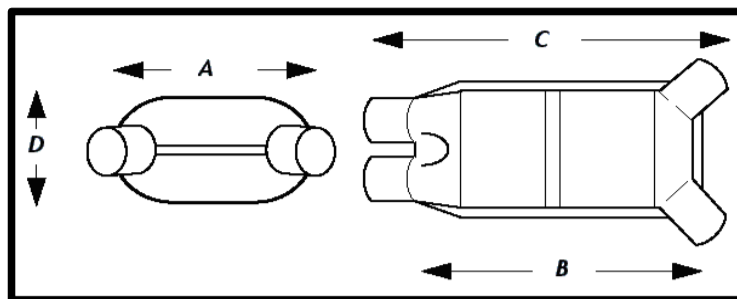


C	A	B	D	INTERIOR	COMB.	O. SENSOR	ENTRADA	SAIDA	CODIGO	CC
C	A	B	D	INSIDE	FUEL	O. SENSOR	IN	OUT	CODE	CC

410MM	185MM	305MM	108MM	Cerâmico	Gasolina	N	50MM	50MM	91220	2000
410MM	185MM	305MM	108MM	Metálico	Gasolina	N	50MM	50MM	99220	2000

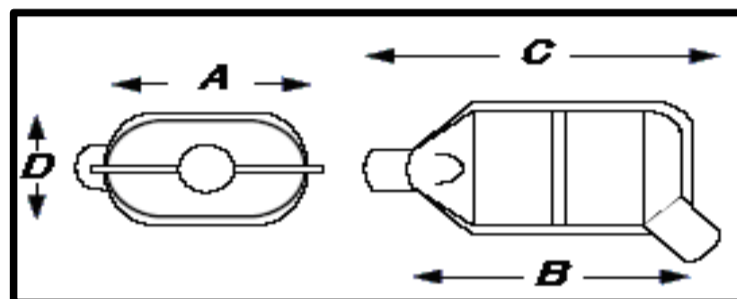


Catalisador Universal Especial Catalytic Converter Special



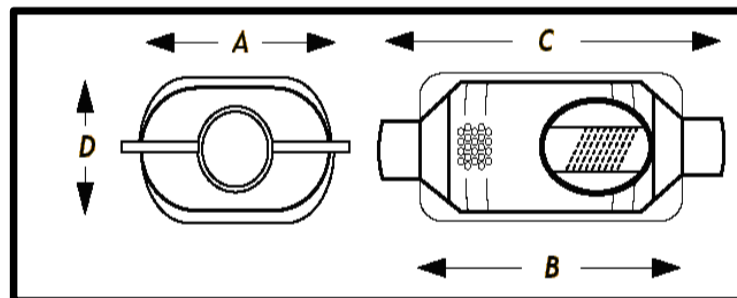
C	A	B	D	INTERIOR	COMB.	O. SENSOR	ENTRADA	SAIDA	CODIGO	CC
C	A	B	D	INSIDE	FUEL	O. SENSOR	IN	OUT	CODE	CC

410MM	185MM	305MM	108MM	Cerâmico	Gasolina	N	50MM	50MM	92220	2000
-------	-------	-------	-------	----------	----------	---	------	------	--------------	------



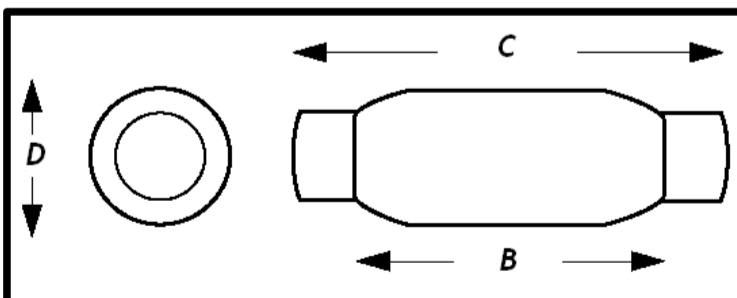
C	A	B	D	INTERIOR	COMB.	O. SENSOR	ENTRADA	SAIDA	CODIGO	CC
C	A	B	D	INSIDE	FUEL	O. SENSOR	IN	OUT	CODE	CC

410MM	185MM	305MM	108MM	Cerâmico	Gasolina	N	52MM	52MM	BMWG	2000
435MM	185MM	305MM	108MM	Metálico	Diesel	N	57MM	57MM	BMWDM	2000
435MM	185MM	330MM	108MM	Cerâmico	Gasolina	N	52MM	52MM	BMWG01	2000



C	A	B	D	INTERIOR	COMB.	O. SENSOR	ENTRADA	SAIDA	CODIGO	CC
C	A	B	D	INSIDE	FUEL	O. SENSOR	IN	OUT	CODE	CC

460MM	160MM	356MM	108MM	Cerâmico	Gasolina	N	52MM	52MM	95004R	2000
-------	-------	-------	-------	----------	----------	---	------	------	---------------	------

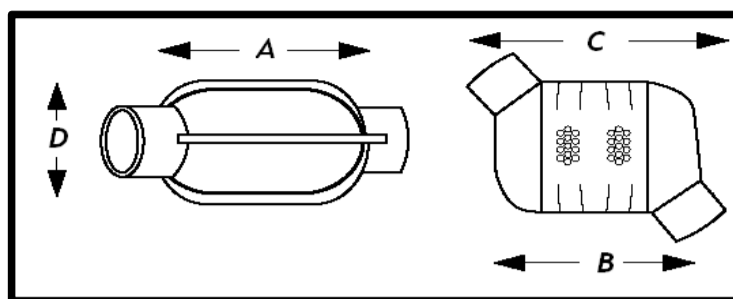


C	A	B	D	INTERIOR	COMB.	O. SENSOR	ENTRADA	SAIDA	CODIGO	CC
C	A	B	D	INSIDE	FUEL	O. SENSOR	IN	OUT	CODE	CC

267MM	-	165MM	108MM	Metálico	Gasolina	N	63MM	63MM	RACING	2000
-------	---	-------	-------	----------	----------	---	------	------	---------------	------

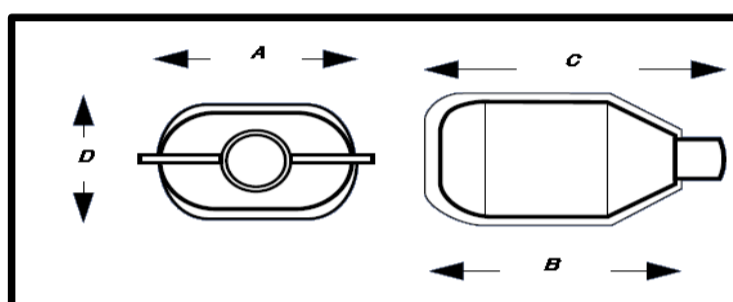


Catalisador Universal Especial Catalytic Converter Special



C	A	B	D	INTERIOR	COMB.	O. SENSOR	ENTRADA	SAIDA	CODIGO	CC
C	A	B	D	INSIDE	FUEL	O. SENSOR	IN	OUT	CODE	CC

370MM	180MM	160MM	110MM	Cerâmico	Gasolina	N	50MM	50MM	MERG	2000
370MM	180MM	160MM	110MM	Metálico	Gasolina	N	50MM	50MM	MERGM	2000



C	A	B	D	INTERIOR	COMB.	O. SENSOR	ENTRADA	SAIDA	CODIGO	CC
C	A	B	D	INSIDE	FUEL	O. SENSOR	IN	OUT	CODE	CC

410MM	185MM	305MM	108MM	Cerâmico	Gasolina	N	50MM	50MM	93604	2000
-------	-------	-------	-------	----------	----------	---	------	------	--------------	------

C	A	B	D	INTERIOR	COMB.	O. SENSOR	ENTRADA	SAIDA	CODIGO	CC
C	A	B	D	INSIDE	FUEL	O. SENSOR	IN	OUT	CODE	CC

-	-	-	-	Cerâmico	Gasolina	S	52MM	52MM	EC1100COR	1200
-	-	-	-	Metálico	Diesel	N	52MM	52MM	AUDI	1900